

N2-A-W5



This type of safety barrier is commonly used due to its simplicity, strength and quality making it compatible in many situations involving speed and heavy impact.

All steel sections are galvanised providing long term maintenance free protection from corrosion.

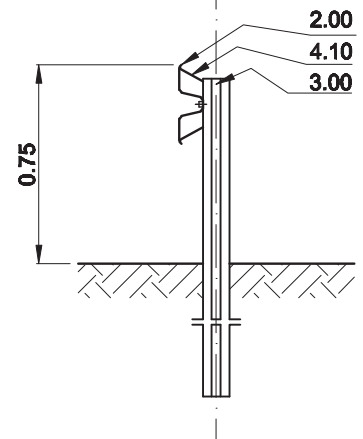
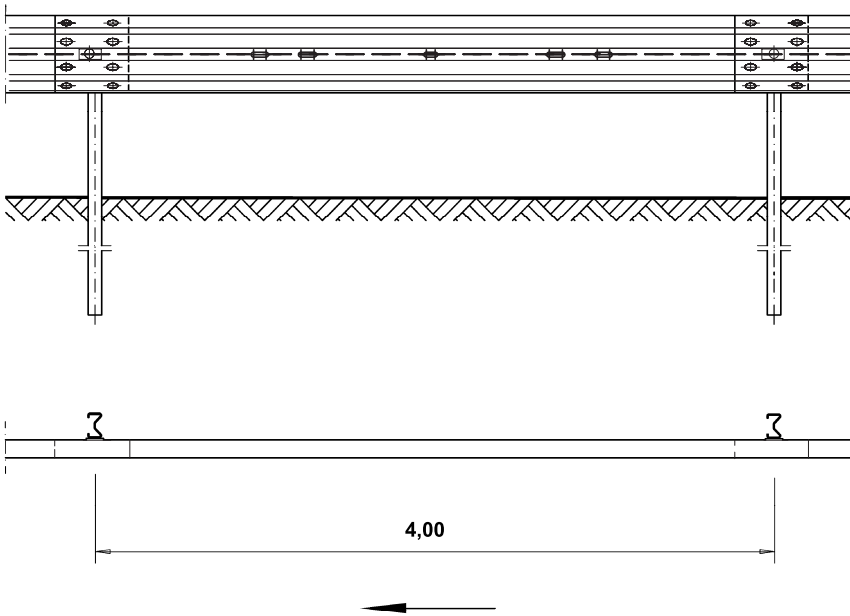
N2-A-W5

Safety Barrier

Technical Data: ESP BOS (Tree / Object Protection)

N2-A-W5

Test Standard Acceptance Test Testing Institute	DIN EN 1317 Part 1 and Part 2 TB 11 and TB 32 TÜV SÜD Automotive GmbH, Germany
Containment Impact Severity Level Working Width	N2 A W5
Test Length System Height System Weight	36 m 0,75 m 23 kg/m



JPK
Est. 1975
Fencing Systems

website : www.jpk.ie
email : info@jpk.ie
telephone : +353 91 798 146



PASS+CO
BARRIER SYSTEMS GmbH