

### T18



Consisting of a high grade steel safety barrier enclosed in wood panels to give a natural wood finish blending in with the surrounding environment.

All steel sections are galvanised providing long term maintenance free protection from corrosion.

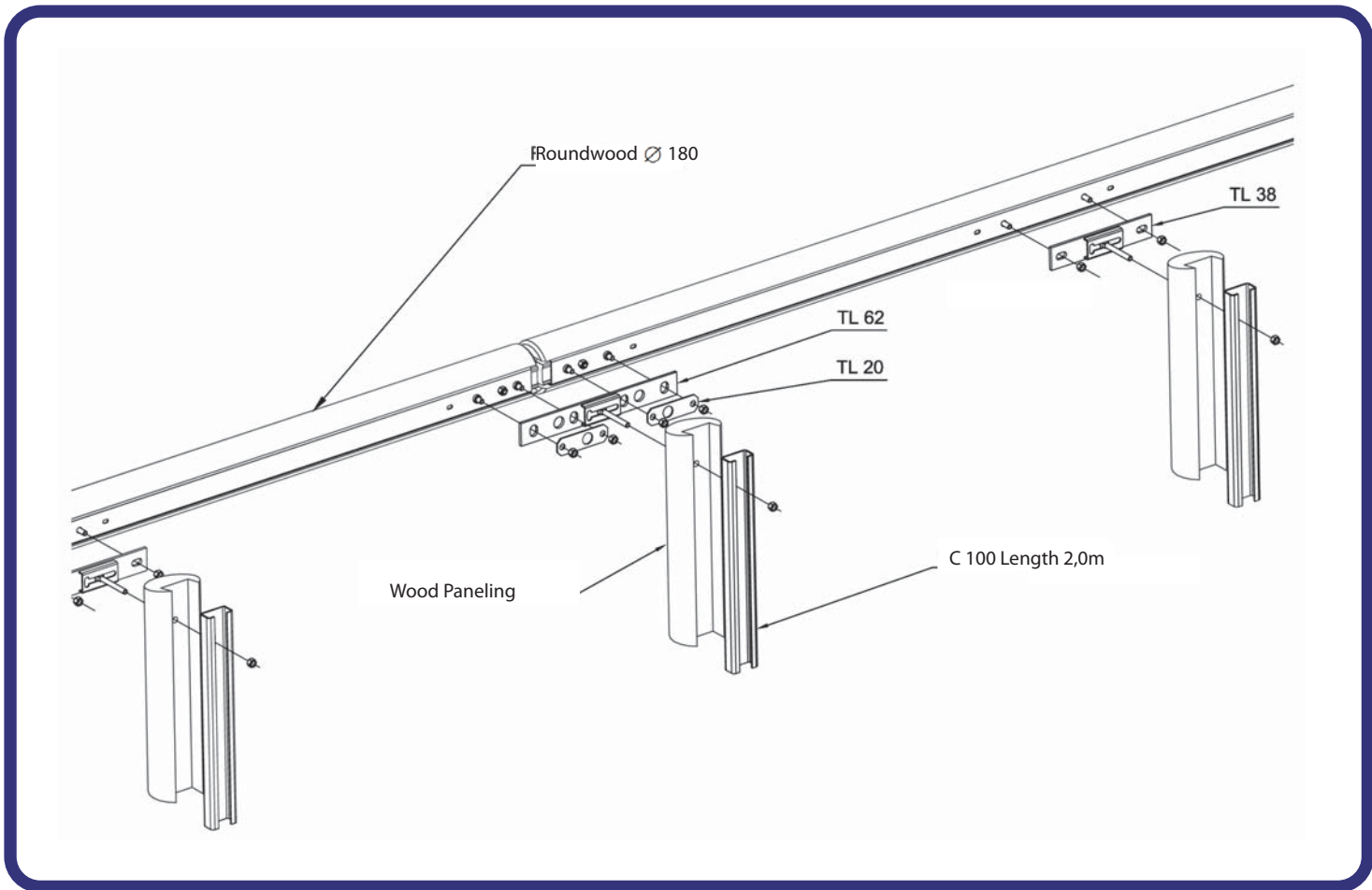
Timber sections are treated for increased protection.

T18 - WOOD FINISH

Safety Barrier



Technical Data:	T18 2.0m	T18 4.0m
Test Standard Acceptance Test Testing Institute	DIN EN 1317 Part 1 and Part 2 TB 11, TB 32 L.i.E.R., Frankreich	DIN EN 1317 Part 1 and Part 2 TB 11, TB 32 L.i.E.R., Frankreich
Containment Impact Severity Test Working Width	N2 (EN 1317-2) A W5	N2 (EN 1317-2) A W7
Test Length System Weight	60 m 36,0 kg/m	60 m 27,3 kg/m



**JPK**  
Est. 1975  
**Fencing Systems**

website : [www.jpki.ie](http://www.jpki.ie)  
email : [info@jpki.ie](mailto:info@jpki.ie)  
telephone : +353 91 798 146



**EN1317**  
APPROVED



**PASS+CO**  
BARRIER SYSTEMS GmbH