

Pedestrian Guard Rail



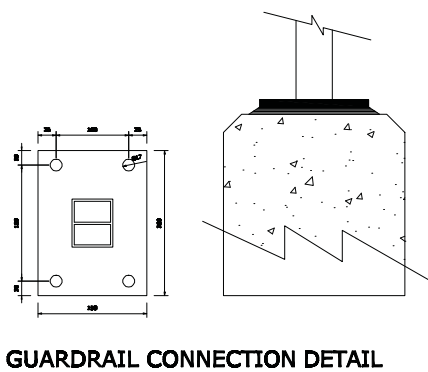
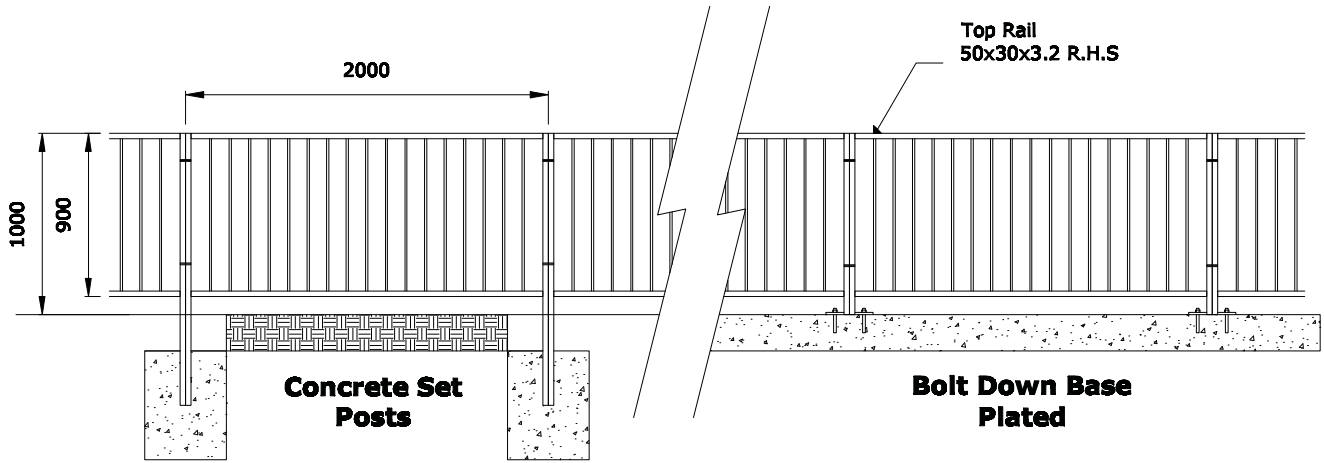
Pedestrian Guard Rail installed around a long curved footpath

JPK installed Pedestrian Guard Rail to accommodate a pedestrian crossing



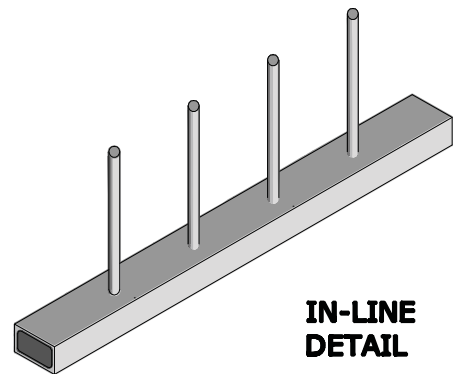
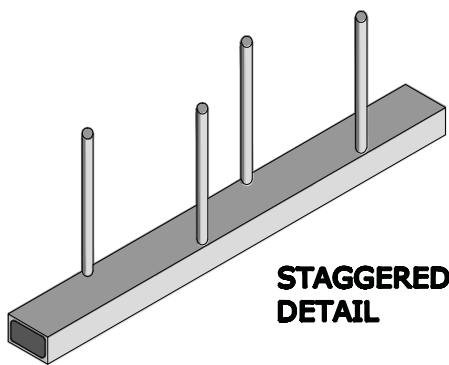
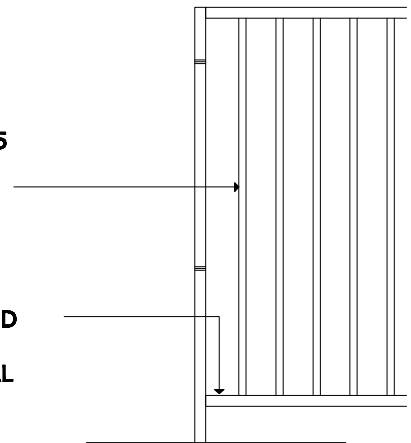
Pedestrian Guard Rail installed around a wheelchair access ramp

JPK's high grade pedestrian guard rail system provides good protection to pedestrians while allowing good visibility to motorists. This specialized guard rail system is formed at JPK's manufacturing facility and installed by JPK nationwide. All steel sections and fittings are galvanised providing long term maintenance free protection from corrosion.



INFILL BARS
20 X 20 X 3.5
AT 100mm
CENTRES

PANELS FIXED
WITH
ANTI-VANDAL
BOLTS



Standard lengths = 2.00m x 1.00m high. Non standard lengths are available and made to order.
Steel Sections Galvanised to EN ISO 1461

JPK
Est. 1975
Fencing Systems

website : www.jpk.ie
email : info@jpk.ie
telephone : +353 91 798 146

FOR LIFELONG
COLOUR
POWDER
COAT IT

